

EM56

Compact trapezoid enclosure

features

- ▶ Compact trapezoid enclosure
- ▶ Ferrofluid cooled 1" (25mm) HF driver
- ▶ High SPL capability
- ▶ Multiple threaded inserts for ease of installation

applications

- ▶ Background music for clubs and bars
- ▶ Theatre delay/in-fill
- ▶ AV presentations
- ▶ Conference centres



The EM56 is the compact solution for high power loudspeaker applications where space is at a premium. A two-way passive, trapezoid system, the EM56 has a 10" cone bass driver for high power handling, coupled with a 1" HF ferrofluid cooled compression driver mounted on a 70° horizontal x 40° vertical constant directivity horn.

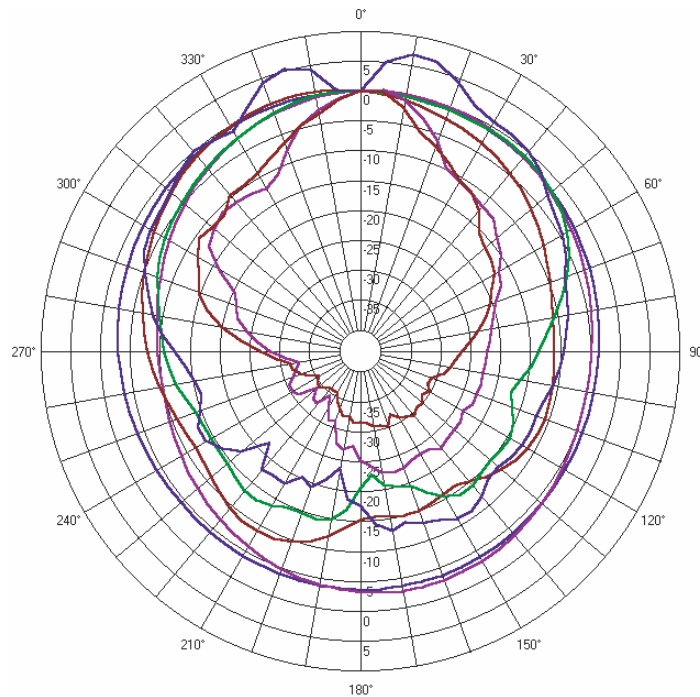
It can be used with EM Series sub-bass systems in conjunction with the EMX1A controller. Installation features include threaded inserts for eyebolts, wall bracket mounting points and a pole mounting socket in the base.

EM56

Compact trapezoid enclosure

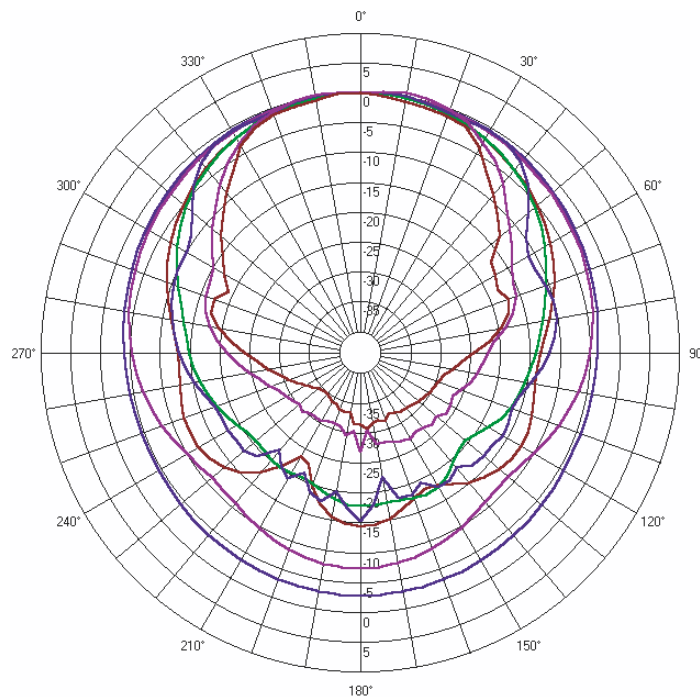
polar plots

architectural



EM56 Vertical

- 200Hz & 1/3 oct. smoothing
- 400Hz & 1/3 oct. smoothing
- 800Hz & 1/3 oct. smoothing
- 1600Hz & 1/3 oct. smoothing
- 3200Hz & 1/3 oct. smoothing
- 6400Hz & 1/3 oct. smoothing
- 12800Hz & 1/3 oct. smoothing



EM56 Horizontal

- 200Hz & 1/3 oct. smoothing
- 400Hz & 1/3 oct. smoothing
- 800Hz & 1/3 oct. smoothing
- 1600Hz & 1/3 oct. smoothing
- 3200Hz & 1/3 oct. smoothing
- 6400Hz & 1/3 oct. smoothing
- 12800Hz & 1/3 oct. smoothing

Century Point, Halifax Road, Cressex Business Park,
High Wycombe, Buckinghamshire HP12 3SL, England.
Telephone: +44 (0)1494 535312 Facsimile: +44 (0)1494 438669
E-mail: info@martin-audio.com
All information is Copyright © 2003 Martin Audio Ltd.



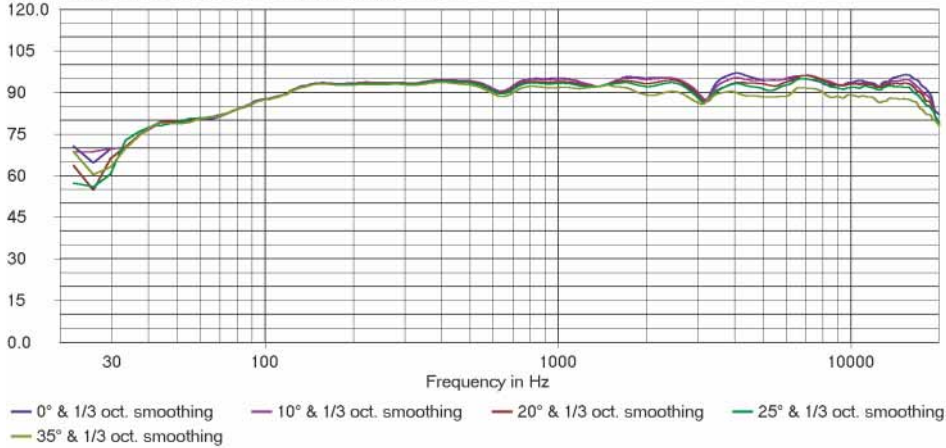
EM56

Compact trapezoid enclosure

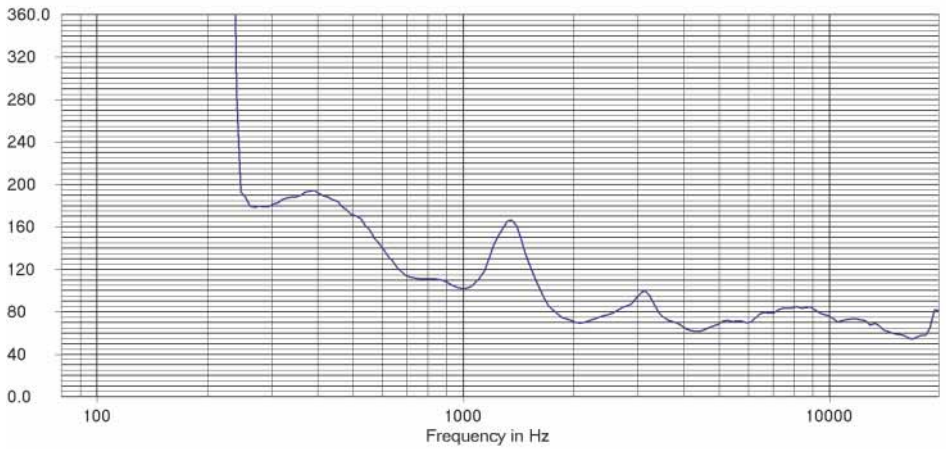
frequency responses

architectural

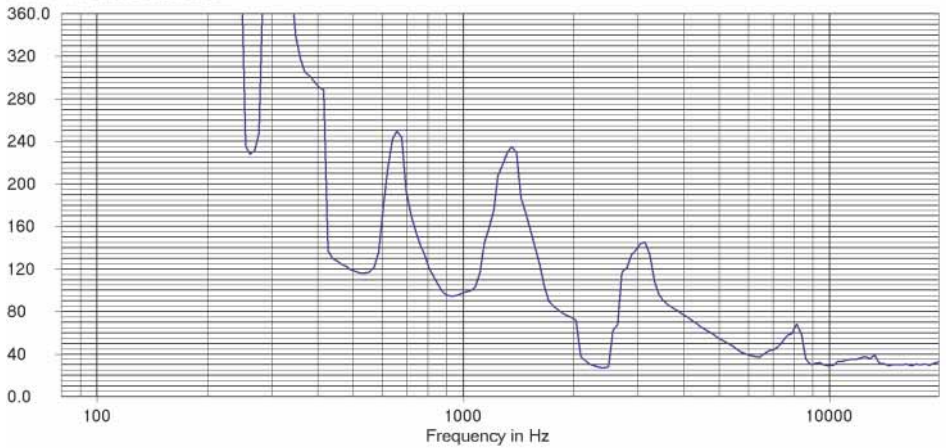
EM56 Horizontal Magnitude in dB SPL/2.83V at 1 meter



EM56 Horizontal Beamwidth



EM56 Vertical Beamwidth



Century Point, Halifax Road, Cressex Business Park,
High Wycombe, Buckinghamshire HP12 3SL, England.
Telephone: +44 (0)1494 535312 Facsimile: +44 (0)1494 438669
E-mail: info@martin-audio.com
All information is Copyright © 2003 Martin Audio Ltd.

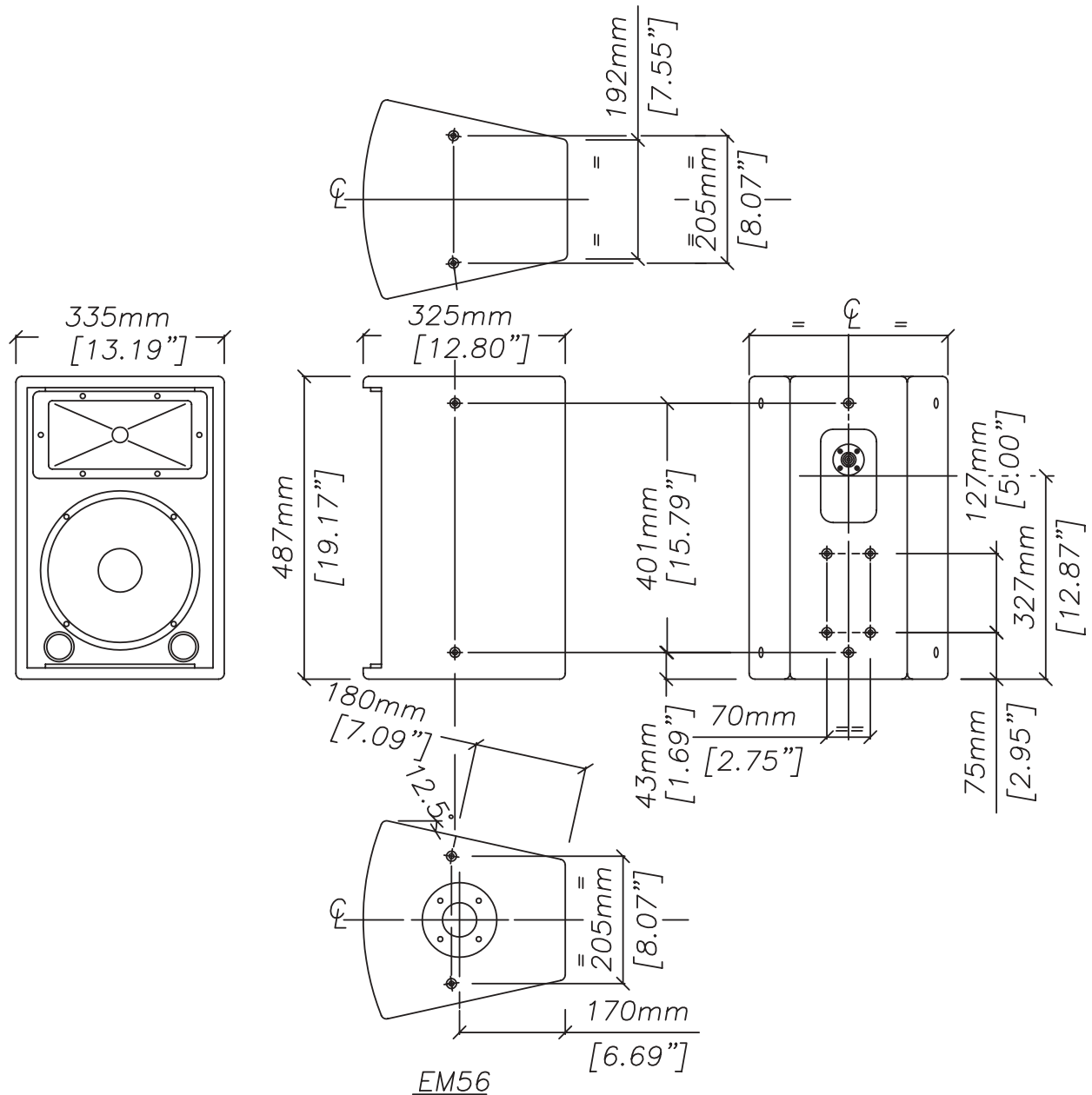


EM56

Compact trapezoid enclosure

overall dimensions

architectural



Century Point, Halifax Road, Cressex Business Park,
High Wycombe, Buckinghamshire HP12 3SL, England.
Telephone: +44 (0)1494 535312 Facsimile: +44 (0)1494 438669
E-mail: info@martin-audio.com
All information is Copyright © 2003 Martin Audio Ltd.



EM56

Compact trapezoid enclosure

technical specifications

TYPE	Compact, two-way passive trapezoid
FREQUENCY RESPONSE (1)	75Hz-18kHz \pm 3dB
DRIVERS	10" (250mm) bass driver 1" (25mm) driver, ferrofluid cooled
RATED POWER (2)	150W AES, 600W peak
RECOMMENDED AMPLIFIER	300-400W into 4 ohms
SENSITIVITY (3)	97dB
MAXIMUM SPL (4)	117dB continuous, 123dB peak
NOMINAL IMPEDANCE	8 ohms
DISPERSION (-6dB)	70° horizontal, 40° vertical
CROSSOVER	2kHz passive
ENCLOSURE	22 litre, vented
FINISH	Textured green paint
PROTECTIVE GRILLE	Grey perforated steel
CONNECTORS	1 x Neutrik NL4
FITTINGS	4 x M8 inserts for Omnimount 100 10 x M8 inserts, 1 x pole mount socket
DIMENSIONS	(W) 335mm x (H) 487mm x (D) 325mm (W) 13.2ins x (H) 19.2ins x (D) 12.8ins
WEIGHT	14.5kg (32lbs)

accessories

HTKCT05	8mm Shouldered Eye Bolt
HTKM20	Wall Bracket (supplied in pairs)
HTKWI	Flying Yoke

Notes

- (1) Measured on-axis in half space at 2 metres, then referred to 1 metre.
- (2) AES Standard ANSI S4.26-1984.
- (3) Measured in half space conditions at 2 metres with 1 watt input, using band limited pink noise, then referred to 1 metre.
- (4) Measured in half space conditions at 2 metres using band limited pink noise, then referred to 1 metre.

Trade Descriptions Act

Due to Martin Audio's policy of continuing improvement, we reserve the right to alter these specifications without prior notice. Martin Audio is committed to refining state of the art sound reinforcement, combining in-depth product and field applications research with advanced manufacturing techniques. Every Martin Audio product is built to the highest manufacturing standards and rigorously tested to ensure that it meets the performance criteria specified in the design.

architectural and engineering specifications

The loudspeaker system shall be of the two-way passive type consisting of one 10" (250mm) direct radiating reflex loaded low frequency transducer and one 1" (25mm) HF ferrofluid cooled compression driver mounted on a constant directivity horn in a trapezoidal enclosure. The enclosure shall be fitted with an integral pole mounting socket and threaded inserts for wall and ceiling mounting. Low and high frequency sections shall be integrated by an internal 2kHz passive crossover network.

Performance of the loudspeaker system with its electronic controller shall meet or exceed the following criteria:

Frequency response measured 1 metre on axis shall be 75Hz-18kHz \pm 3dB.

High frequency dispersion at -6dB points shall be 70° H x 40° V.

Power handling shall be 150W AES, 600W peak.

Rated impedance shall be 8 ohms.

Maximum SPL measured at 1 metre on axis shall be 117dB continuous, 123dB peak.

Dimensions (W) 335mm x (H) 487mm x (D) 325mm (13.2ins x 19.2ins x 12.8ins).

Weight 14.5kg (32lbs).

The loudspeaker system shall be the Martin Audio EM56.

Century Point, Halifax Road, Cressex Business Park,
High Wycombe, Buckinghamshire HP12 3SL, England.
Telephone: +44 (0)1494 535312 Facsimile: +44 (0)1494 438669
E-mail: info@martin-audio.com
All information is Copyright © 2003 Martin Audio Ltd.

